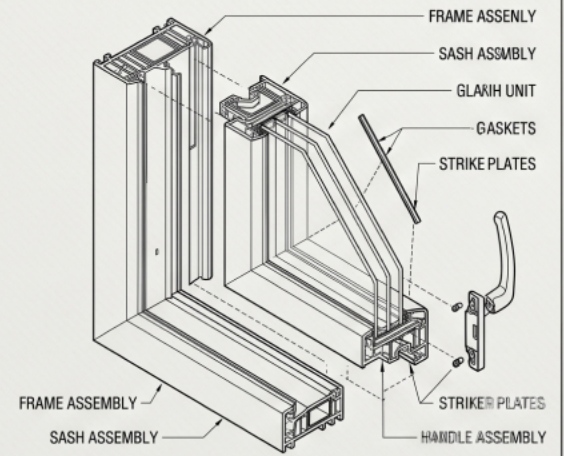
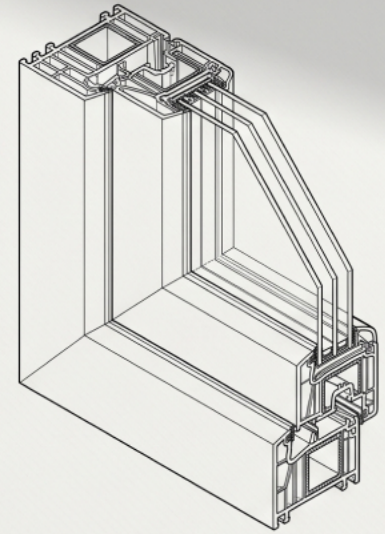
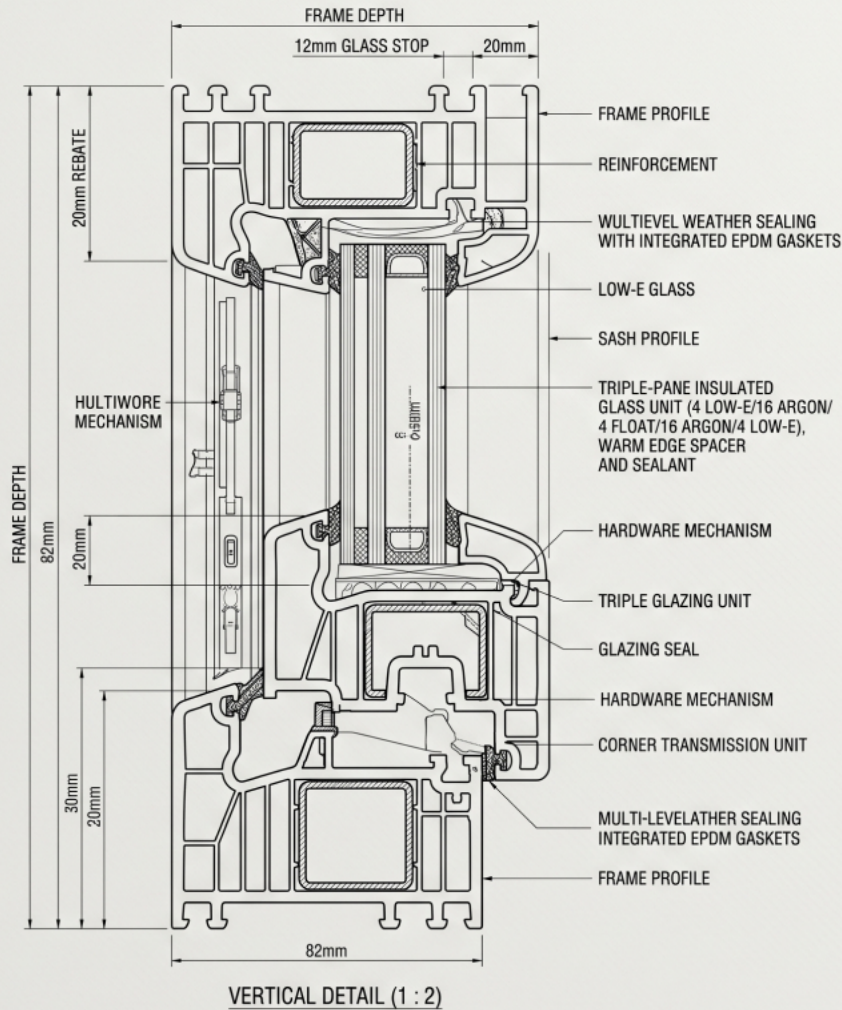


# PREMIUM WINDOW SYSTEM DETAIL & SPECIFICATION



**EXPLODED ISOMETRIC DIAGRAM**

NOTES:  
 1. TECHNICAL SPECIFICATIONS ARE DESIGNED TO ADHERE TO AND MAINTAIN SUBSTANTIAL OVERSIGHT OF THE DESIGN.  
 2. THE ENGINEERING NOTE IS BASED ON THE ASSUMPTION THAT THE PROFILE IS THE MOST ADVANCED AND ANTI-CORROSION ENGINEERING MATERIAL.  
 MATERIALS USED OR MODIFIED BY OTHER MANUFACTURERS PROVIDE COMMENT TO LAW SERVICE FOR CHECKED IS NOT APPLICABLE.